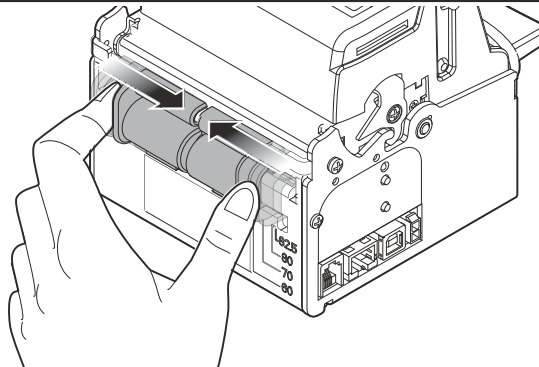


## 4. OPERATION

### 4.2 Paper roll insertion

At every change of paper roll, check inside the printer. To change the paper roll, proceed as follows:

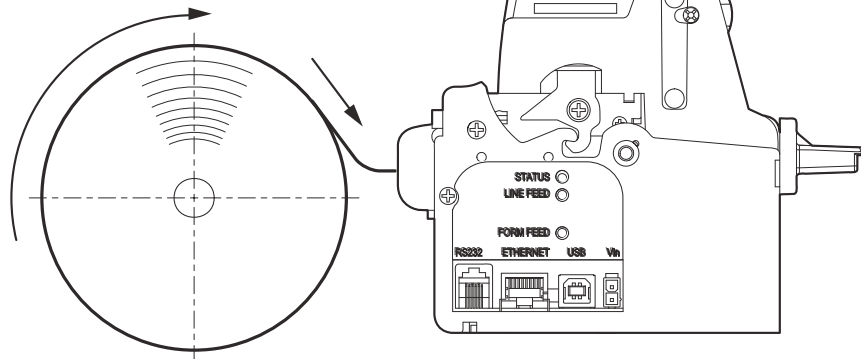
1



Adjust the paper width (see previous paragraphs).

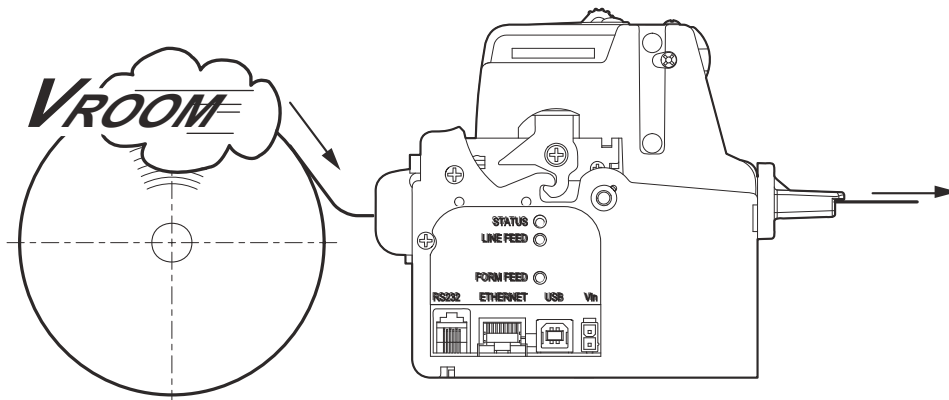
2

**ATTENTION:**  
Make sure the cut is straight.



Position the paper roll, so that it unrolls correctly as shown in figure.

3



Insert the paper into the paper infeed opening and wait for it to load automatically.